



## Low $V_{CE(SAT)}$ Power Transistors in a Tiny Leadless Module™

CTLT853-M833  
6 Amp/200V  
(NPN)

CTLT953-M833  
5 Amp/140V  
(PNP)



TLM833



### features

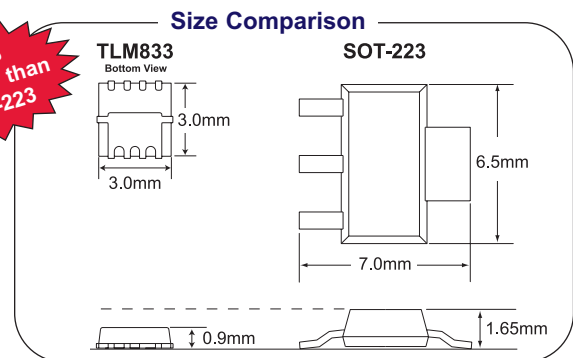
- High Voltage (200V NPN, 140V PNP)
- High Current ( $I_C = 6.0A$  NPN,  $5.0A$  PNP)
- High Thermal Efficiency
- 3 x 3mm TLM™ case
- Low  $V_{CE(SAT)} = 0.34V$  Max @ 5.0A NPN,  
0.42V Max @ 4.0A PNP.

### description

The Central Semiconductor CTLT853-M833 (NPN) and CTLT953-M833 (PNP) are high performance, High Current Transistors designed for applications where tiny size and operational efficiency are prime requirements. With a maximum power dissipation of 4.5W, and a very small package footprint, these devices are 80% smaller than a comparable SOT-223 device. This leadless package design has a watts per unit area at least twice that of equivalent package devices.

Sample Devices  
available  
upon request.

80%  
Smaller than  
SOT-223



### selection guide

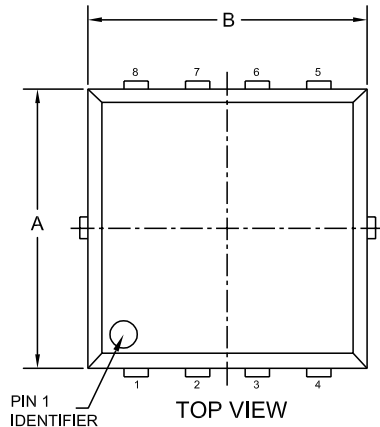


#### High Current Power Transistors

	CENTRAL PART #	$BV_{CBO}$	$BV_{CEO}$	$BV_{EBO}$	$I_{CBO}$ @ $V_{CB}$	$h_{FE}$		$h_{FE}$ @ $V_{CE}$	$h_{FE}$ @ $I_C$	$V_{CE(SAT)}$ @ $I_C$	$C_{ob}$	$f_T$		
		(V) MIN	(V) MIN	(V) MIN	(nA) MAX	(V)	MIN	MAX	(V)	(A)	(V) MAX	(A)	(pF) TYP	(MHz) TYP
NPN	CTLT853-M833	200	100	6.0	10	150	100	300	2.0	2.0	0.34	5.0	38	190
PNP	CTLT953-M833	140	100	6.0	50	100	100	300	1.0	1.0	0.42	4.0	45	150

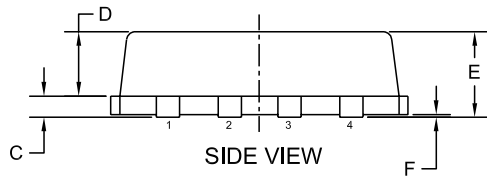
# Low $V_{CE(SAT)}$ Power Transistors in a Tiny Leadless Module™

## Mechanical Specifications - TLM833



SYMBOL	DIMENSIONS			
	INCHES		MILLIMETERS	
	MIN	MAX	MIN	MAX
A	0.114	0.122	2.90	3.10
B	0.114	0.122	2.90	3.10
C	0.006	0.010	0.15	0.25
D	0.026	0.030	0.65	0.75
E	0.031	0.039	0.80	1.00
F	0.000	0.002	0.00	0.05
G	0.008	0.018	0.20	0.45
H	0.026		0.65	
J	---	0.005	---	0.125
K	0.007	0.012	0.17	0.30
L	---	0.005	---	0.125
M	0.011	0.015	0.29	0.39
N	0.049	0.057	1.25	1.45
P	0.006	0.014	0.15	0.35
Q	0.040	0.048	1.01	1.21
R	0.085	0.093	2.16	2.36

TLM833 (REV:R2)

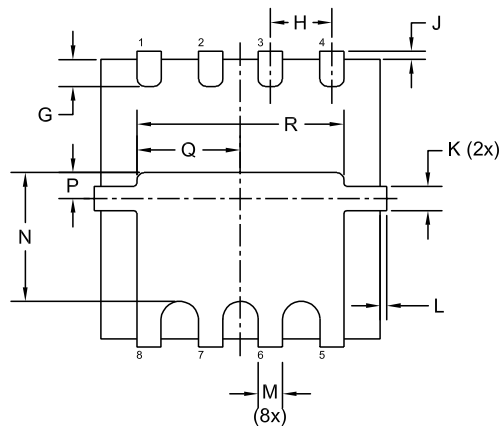


### CTLT853-M833 (NPN)

#### Lead Code:

- |            |              |
|------------|--------------|
| 1) Emitter | 5) Collector |
| 2) Emitter | 6) Collector |
| 3) Base    | 7) Collector |
| 4) N. C.   | 8) Collector |

#### Marking Code: CHA3



R2

### CTLT953-M833 (PNP)

#### Lead Code:

- |            |              |
|------------|--------------|
| 1) Emitter | 5) Collector |
| 2) Emitter | 6) Collector |
| 3) Base    | 7) Collector |
| 4) N. C.   | 8) Collector |

#### Marking Code: CHA4

**Central**<sup>™</sup>  
Semiconductor Corp.

*Innovations in Discrete  
Semiconductors*

For further information contact:  
Sales at Central Semiconductor Corp.  
(631) 435-1110 or visit our website at:  
[www.centalsemi.com](http://www.centalsemi.com)

145 Adams Avenue • Hauppauge • New York • 11788 • USA • Tel:(631) 435-1110 • Fax:(631) 435-1824

PA CTLT853-M833